

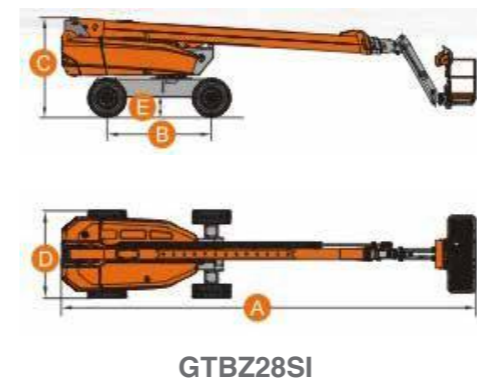
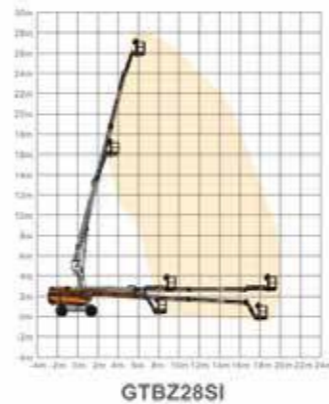


# Self-Propelled Telescopic Boom Lift



## Dingli GTBZ28SI

	S.W.L Max. Occupants	230kg 2
	Max. Working Heights Max. Platform Heights	27.90m 25.90m
	Max. Platform Heights Turntable Tailswing	20.00m 1.30m
	Overall Length (Stowed)	11.94m
	Overall Width Overall Width (Transported)	2.50m 2.28m
	Overall Height Overall Height (Transported)	2.83m 2.55m
	Platform Size	2.40m x 0.90m
	Ground Clearance	0.36m
	Wheel Base Turning Radius (Inside/Outside)	3.00m 3.93m/5.81m
	Turret Rotation Platform Rotation Jib Movement	360° continuous +/- 90° +70°/-60°
	Engine Perkins 1104D Deutz TD 2.9 L4 - Option	56kW/2800rpm 55.4kW/2600rpm
	Fuel	Diesel
	Travel Speed (Stowed) Travel Speed (Working)	6.1km/h <1.1km/h
	Gradeability Maximum Slope	40% 4°
	Hydraulic Tank Fuel Tank	230L 110L
	Tyre	385/65-22.5
	Gross Weight	15100kg



### Standard Equipment

- Can Bus Technology
- Proportional Controls
- Safety Electric Pump
- Horn
- Hour Meter
- Overload with sensor alarm
- Tilt Sensor
- 360° Continuous Turntable Rotation
- Self-leveling Platform
- Onboard Diagnostic System
- Hydraulic Platform Rotation
- Anti-restart Engine Protection
- The Glow Plugs For Cold Starting
- Oscillating Axle
- 4WD
- European III Emission Engine
- Deadman
- Hydraulic Oil Cooler
- Rough Terrain Foam-filled Tyres

### Options

- Hydraulic Generator
- Hydraulic Compressor
- Hydraulic Water Pump
- AC Power to Platform
- Hydraulic Welder
- Platform Work Lights
- European IV Emission Engine



Ground Control



Transport Lock Pin



Waterproof Platform Control



Foot Deadman



Safety Electric Pump



Oscillating Axle



Swing Out Engine Tray



Gradeability