

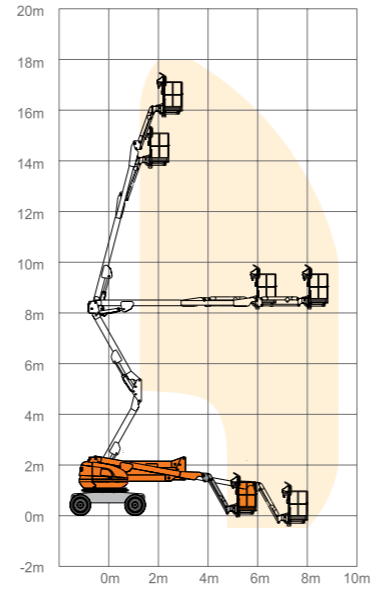
## Self-Propelled Articulating Boom Lifts



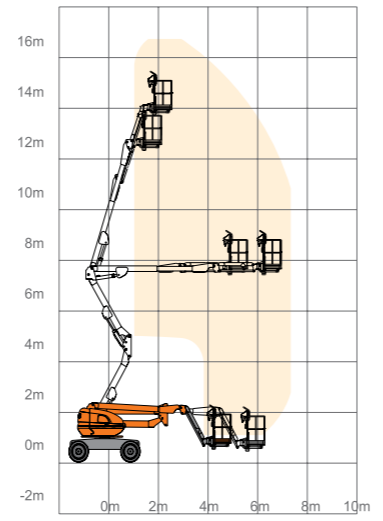
### Dingli



	GTBZ18A	GTBZ16A
S. W. L	230kg	230kg
Max. Occupants	2	2
Max. Working Height	18.00m	16.00m
Max. Platform Height	16.00m	14.00m
Max. Horizontal Reach	8.85m	7.47m
Turntable Tailswing	0	0
Up And Over Clearance	8.45m	7.67m
A Overall Length(Stowed)	7.59m	6.94m
A <sub>1</sub> Overall Length(Transport)	5.80m	5.15m
D Overall Width	2.30m	2.30m
C Overall Height	2.33m	2.33m
Platform Size	1.80mX0.76m	1.80mX0.76m
E Ground Clearance	0.36m	0.36m
B Wheel Base	2.20m	2.20m
Turning Radius(Inside/Outside)	2.85m/4.29m	2.85m/4.29m
Turret Rotation	360° continuous	360° continuous
Platform Rotation	160°	160°
Jib Movement	+70° /-60°	+70° /-60°
Engine		
Kubota V2403	35kw/2400rpm	35kw/2400rpm
Fuel	Diesel	Diesel
Travel Speed(Stowed)	6.1km/h	6.1km/h
Travel Speed(Working)	≤1.1km/h	≤1.1km/h
Gradeability	40%	40%
Maximum Slope	3°	5°
Hydraulic Tank	184L	184L
Fuel Tank	90L	90L
Tyre	33X12-20	33X12-20
Gross Weight	7835kg	7430kg



GTBZ18A



GTBZ16A

### Standard Equipment

- Can Bus Technology
- Proportional Controls
- Safety Electric Pump
- Horn
- Hour Meter
- Tilt Sensor
- 2WD
- Self-leveling Platform
- Onboard Diagnostic System
- Hydraulic Platform Rotation
- Anti-restart Engine Protection
- The Glow Plugs For Cold Starting
- European III Emission Engine
- Deadman
- Hydraulic Oil Cooler
- Solid Tyres

