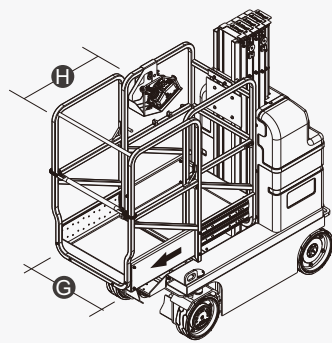
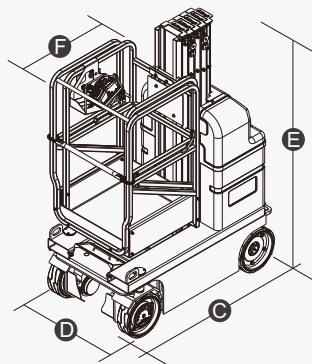
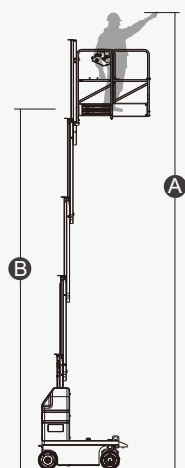


# Dingli Vertical Lifts Product Manuals

 Electric



**DINGLI**®  
*Exceed · New Height*



## Self-propelled Vertical Lifts

### PARAMETER

Model	AMWP9.5-1200
S.W.L	136kg
Max. Occupants	1
Max. Working Height <b>(A)</b>	9.50m
Max. Platform Height <b>(B)</b>	7.50m
Overall Length <b>(C)</b>	1.44m
Overall Width <b>(D)</b>	0.80m
Overall Height <b>(E)</b>	1.99m
Platform Size(Length <b>(F)</b> /Width <b>(G)</b> )	0.73m×0.75m
Platform Extention Size <b>(H)</b>	0.53m
Ground Clearance(Stowed)	0.06m
Ground Clearance(Raised)	0.019m
Wheelbase	1.12m
Turning Radius(Inside/Outside)	0/1.60m
Drive Motor	2×24VDC/1kW
Lifting Motor	24VDC/2kW
Travel Speed(Stowed)	4km/h
Travel Speed(Raised)	1.1km/h
UP/Down Speed	29/32sec
Batteries	2×12V/115Ah
Integrated Charger	24V/15A
Gradeability	25%
Max. Working Slope	X-1.5°/Y-3°
Tyres	Φ323×100mm
Weight	1480kg

#### Standard Equipment

Cylinder Holding Valve  
 Emergency Stop Button  
 Two Controllers Operation  
 Emergency Lowering System  
 Leveling Sensor  
 Forklift Pockets  
 All Motion Alarm  
 Transport Tie Hole  
 Battery Charge Indicator  
 Electric Limit Switch  
 Automatic Pothole Protection  
 Drivable At Full Height  
 Overload Sensor With Alarm  
 Onboard Diagnostic System  
 Flashing Beacon

#### Options

AC Power to Platform

